

EV800

ELEVATING TABLE

The durable EV800 elevating four-way float top table delivers outstanding safety and usability. Featuring an exclusive four-point lift system and exceptionally quiet motor-drive, its smooth, scratch resistant table top lowers to a height of just 22" to ensure stress-free patient transfers and adjustments. Offering a high patient weight capacity of up to 800lbs (363 kg), stable continuous movement is possible through conveniently placed recessed foot treadles and table-side controls, suitable for increasing technologist performance and satisfaction.

Key Highlights

Four-Way Float Top

- Glides effortlessly in all directions

Four-Point Lift System

- A quiet rack and pinion motor distributes equal lifting power to four precise locations

800 lbs. Patient Weight Capacity

Flat and Scratch Resistant Table Top

Lowers to Height of 22 in.

- Allows easy patient transfers and adjustments

Recessed Foot Treadles

- Release locks for table float and elevation

Table-Side User Controls

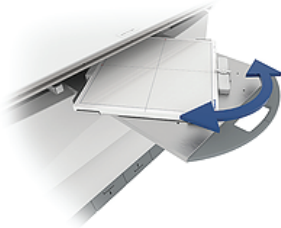


Technical Specifications

* All specifications subject to change without notice

EV800 Radiographic Table

Load capacity:	800 lbs. (363 kg)
Table base length:	53" (135 cm)
Table base width:	25" (64 cm)
Table top movement:	Longitudinal, $\pm 19.75"$ (50 cm) Transverse, $\pm 6.5"$ (16.5 cm)
Variable height:	22.25" (56.5 cm) to 34.25" (87 cm)
Bucky travel:	$\pm 8.5"$ (22 cm)
Table top length:	86.5" (220 cm)
Table top width:	36" (91 cm)
Weight:	563 lbs. (256 kg)
Power requirements:	120 VAC or 230/240 VAC
Options:	78" (198 cm) table top length / 32" (81 cm) table top width / Lateral cassette holder / Table-side patient handgrips / Rotating cassette tray / Compression band



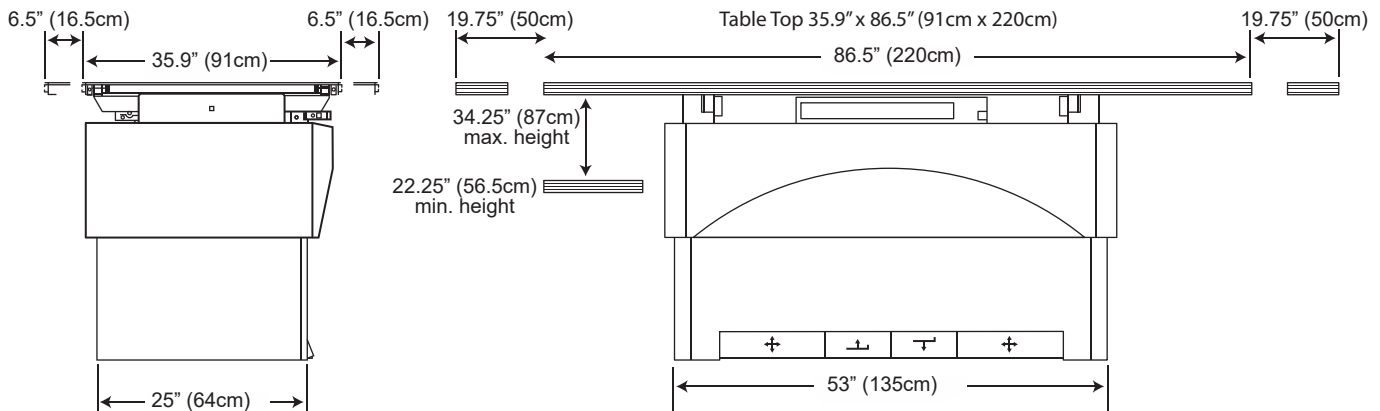
Rotating cassette tray



Table-side patient handgrips



Lateral cassette holder



www.delmedical.com

New York
28 Calvert Street
Harrison, NY 10528
(Tel) 800.261.9808
(Fax) 914.835.6111

Illinois
241 Covington Drive
Bloomington, IL 60108
(Tel) 800.800.6006
(Fax) 847.288.7011

DEL MEDICAL

#9000-EV800 7.19