

Technical Data Sheet



DIGITAL VETERINARY INTEGRATED TABLE/TUBESTAND SYSTEM

This fully-integrated, UL-Classified table/tubestand and high frequency generator system requires as little as 13.3 sq-ft of floor space (fixed table top). Tube is fixed at 40 inch SID and X-ray beam direction is fixed downward (no angulation). Image receptor and tubestand are stationary & permanently aligned.

Options include

- Hands-free collimator light
- Traditional 2-stage Prep/Expose or latching prep
- Operator's console for X-ray generator can be 2-point (kV/mAs) or Anatomically Programmed technique factor type
- Foot treadle exposure switch
- Various types of digital image receptors are available.

SPECIFICATIONS

Space requirements *(does not include space for the image acquisition work station nor the X-ray generator)*

Mounting Bolts to floor are recommended. Due to the size of the digital image receptor within the table base, the HV transformer & generator's power module will be mounted outside of the table base.

- Column height: 77.5"
- Minimum ceiling height: 83.5" *(includes 6" clearance above top of column to allow for installation & service access)*

- 4-way float table top: 73.5" x 41.8"

Electrical access

All cables enter from rear or side of table. Front covers of table are removable for internal access.

ELECTRICAL REQUIREMENTS

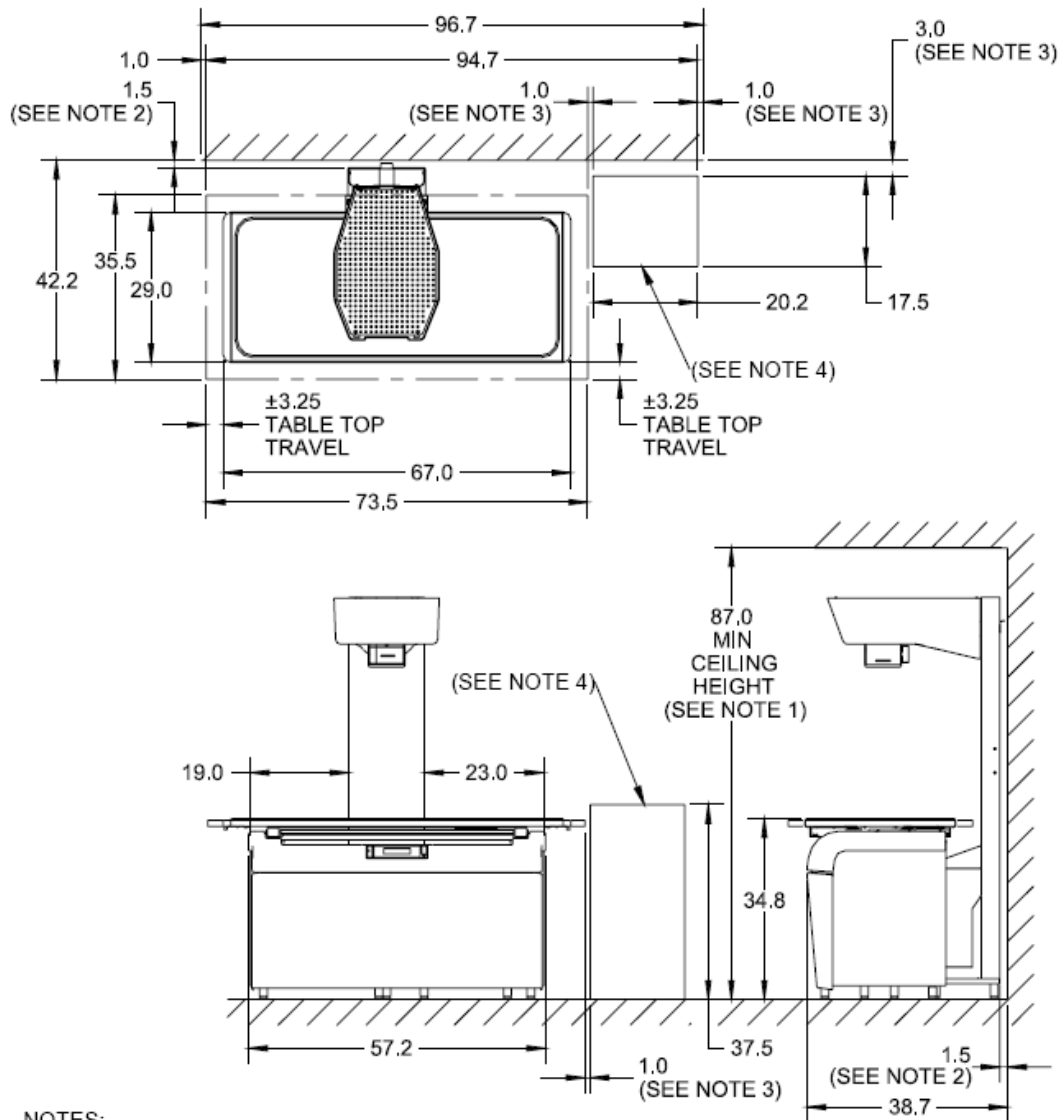
(For Summit 30kW 20kHz HF X-ray generator)

<ul style="list-style-type: none"> • 240 VAC, single phase, 100 Amp disconnect, 200 Amp maximum momentary load.
<ul style="list-style-type: none"> • 37.5 kVA distribution transformer
<ul style="list-style-type: none"> • Maximum line voltage drop under full load conditions not to exceed 5%.
<ul style="list-style-type: none"> • Recommended copper wire sizes are #2 for 50' run, #00 for 100' run, 250 MCM for 200' run. <ul style="list-style-type: none"> ○ <i>(Run is distance between distribution transformer and service disconnect)</i>
<ul style="list-style-type: none"> • Line voltages below 230 VAC require an optional step-up transformer <ul style="list-style-type: none"> ○ <i>(The optional step-up transformer mounts inside generator's power module)</i>
<ul style="list-style-type: none"> • The generator provides 24 VDC and 24 VAC supply voltages for table locks (4-way float top table only) and collimator, respectively.

SHIPPING INFORMATION – Four-Way Float Top Table

CONTENTS	DIMENSIONS	WEIGHT
Tubestand	81" x 17" x 7"	150 lbs.
Table, collimator, tube, film cab, grid, tray, table covers, tube cover, tube mount, tube arm & accessories	73" x 38.5" x 44"	575 lbs.

Technical Drawings for the Versa DR With 4-way Float Top Table



NOTES:

1. 9.6" ADDED ON TOP FOR ACCESS INSIDE TUBE COVER ASSY.
2. 1.5" REAR GAP FOR BRACKET.
3. SOME GAP (~1" SIDES, ~3" REAR) FOR HF GENERATOR.
4. SUMMIT SYNERGY HF GENERATOR (37.5" TALL)