

VS100

VERTICAL WALL STAND

A counterbalanced wall stand with vertical electric locks that allow for easy positioning. The extensive vertical travel allows for a complete range of exams from skull to weight bearing knee and ankle exams.

Key Highlights

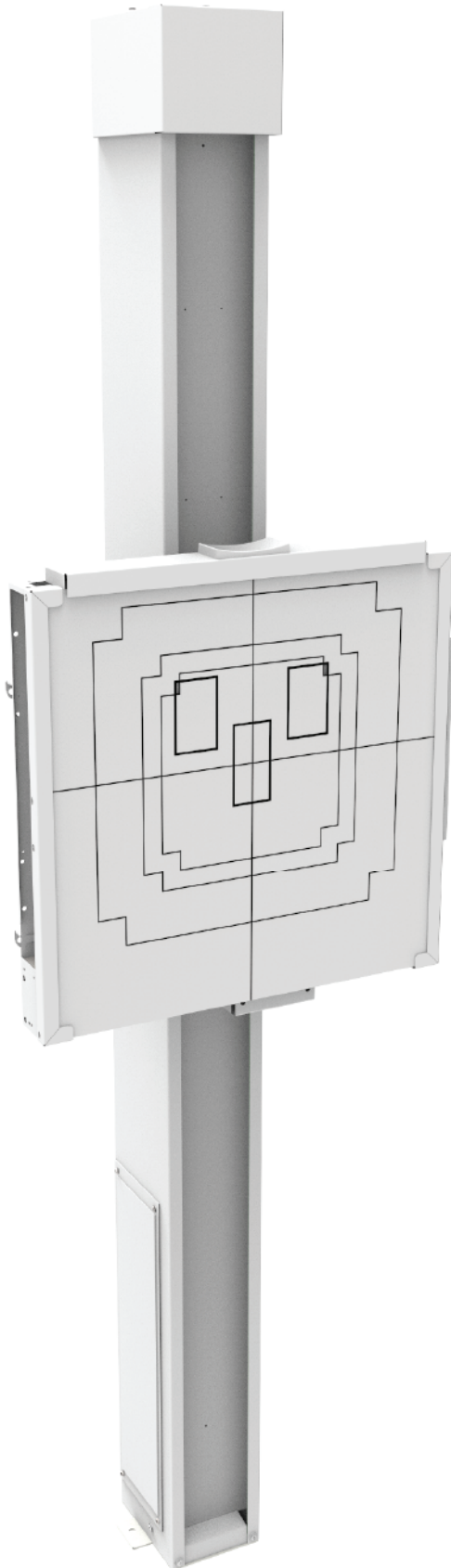
Electromagnetic Locks

- Conveniently placed for easy vertical positioning

Dual Counterweight Cables for Added Safety

Vertical Travel Range of 58.4" (148.28 cm)

Available with 17" x 17" (43 cm x 43 cm) grid cabinet or bucky and a wide selection of grid options



Technical Specifications

* All specifications subject to change without notice

VS100 Wall Stand

Wall stand height:	86.7" (220.4 cm)
Receptor height:	23.4" (59.4 cm)
Vertical travel range:	58.4" (148.28 cm)
Wall stand width (with receptor):	23.3" (59 cm)
Wall stand depth (with receptor):	13" (33 cm)
Maximum focal spot height:	72.4" (183.84 cm)
Minimum focal spot height:	14" (35.6 cm)
Weight:	280 lbs. (127 kg)
Power requirements:	24 V DC at 1.2 amps

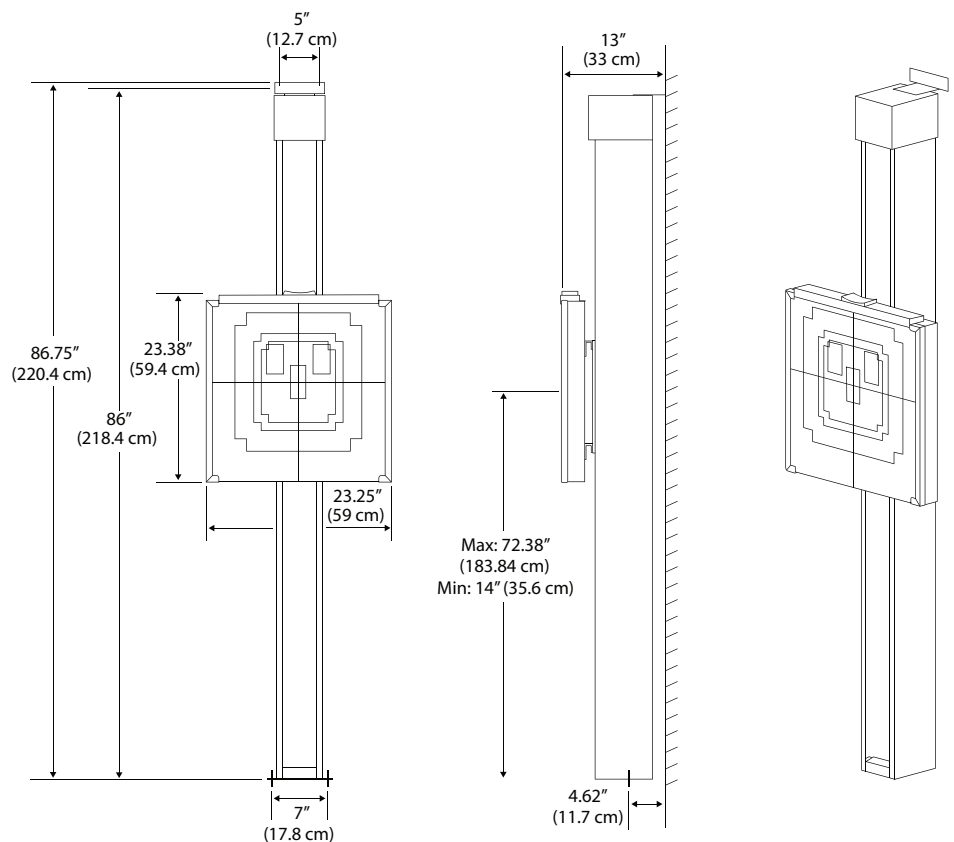
Certifications

ETL listed

VS100 Options:

- 17" x 17" (43cm x 43cm) grid cabinet or bucky
- Deluxe, heavy-duty manual cassette tray
- Size-sensing cassette tray with PBL interface
- Ion Chamber (AEC)
- Variety of grid options

Optional cassette tray accepts 17" x 17" (43 cm x 43 cm), smaller cassettes, or digital panels



www.delmedical.com

New York
28 Calvert Street
Harrison, NY 10528
(Tel) 800.261.9808
(Fax) 914.835.6111

Illinois
241 Covington Drive
Bloomington, IL 60108
(Tel) 800.800.6006
(Fax) 847.288.7011

DEL MEDICAL

#9000-VS100 01.19