

FMT18^M

FLOOR-MOUNTED TUBE STAND



The FMT18M tube stand was designed with features to optimize workflow, patient care and technologist productivity. This tube stand is ideal for medium sized imaging environments requiring low ceiling installations, such as hospitals and imaging centers. Intuitive and user-friendly, it is intended to withstand medium to high-volume throughput and limit repeat exams.

Key Highlights

Technologist-Friendly 10.4" Touchscreen Display

- Displays angulation, SID, and optional access to generator integrated control values

All Lock Release Sensor

- Just place hand on bottom handle to release transverse, longitudinal, and vertical locks

Manual Collimator (Automatic optional)

- Selects proper field-of-view for each exam anatomy using pre-programmed APR settings

Standard 10 ft. Floor Plate

- Optional 8 and 12 ft. floor plates available

Column Rotation of +/-180°

Extensive Longitudinal and Transverse Travel

- Controlled by an electromagnetic braking system

Minimum Focal Spot Positioning at 11"

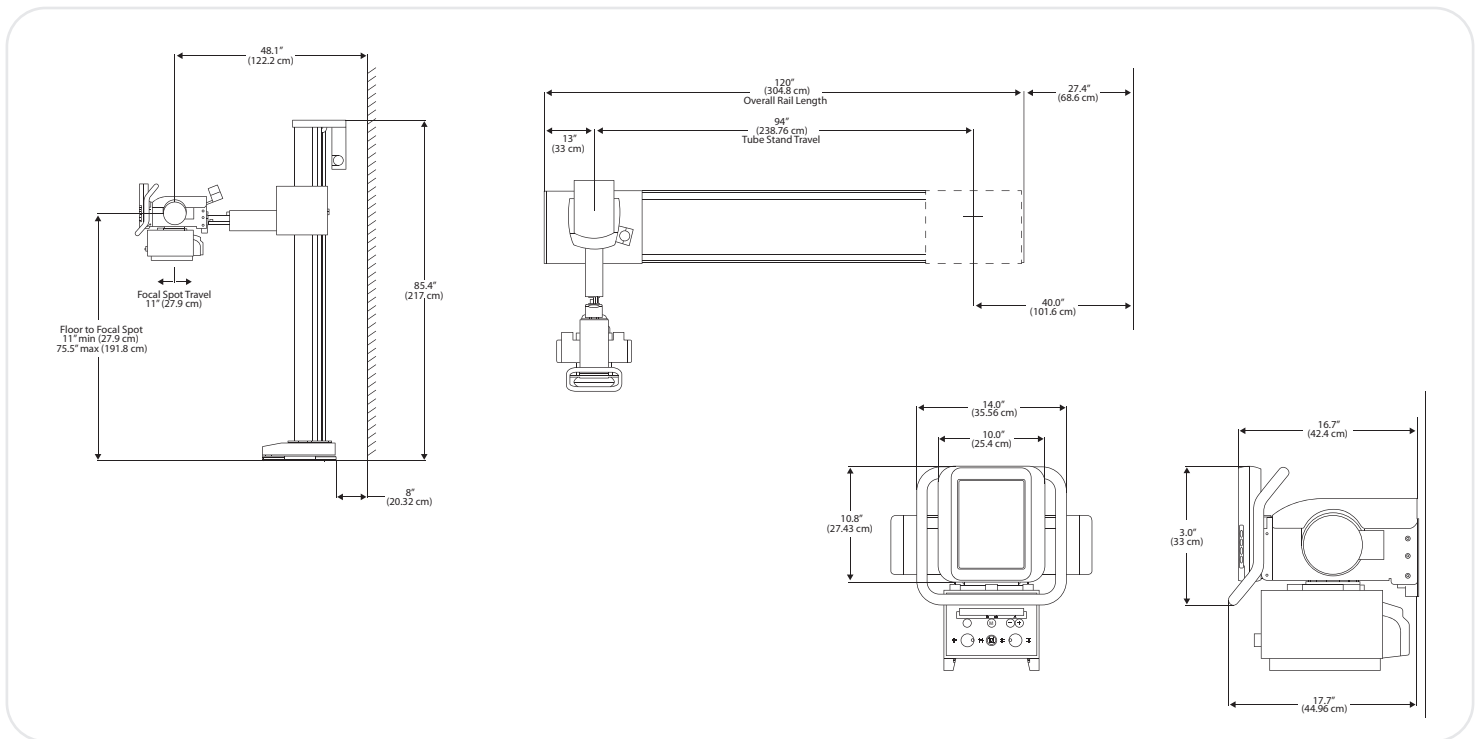
- Perfect for weight bearing exams

Technical Specifications

* All specifications subject to change without notice

FMT18M Tube Stand

Minimum ceiling height:	87" (221 cm)
Column height:	85.5" (217 cm)
Vertical travel:	64.5" (164 cm) total
Floor to focal spot (with standard platform mount):	Minimum 11" (28 cm), Maximum 75.5" (192 cm)
Longitudinal travel:	94" (239 cm)
Floor plate longitudinal length:	120" (305 cm)
Transverse travel:	11" (28 cm)
Tube, collimator, and cable support capacity:	88 lbs. (40 kg)
Weight (including floor track and components):	950 lbs. (431 kg)
Column rotation:	180° where installation permits
Tube rotation:	±180° detents for lateral decubitus projections
Base assembly to rear wall:	8" (20.5 cm)
Power requirements:	99-132/198-264 VAC 50/60 Hz
Options:	<ul style="list-style-type: none"> - Manual collimator - 8 or 12 ft. floor plates - DAP (Dose Area Product) - Full system integration (with or without generator control)



www.delmedical.com

New York
 28 Calvert Street
 Harrison, NY 10528
 (Tel) 800.261.9808
 (Fax) 914.835.6111

Illinois
 241 Covington Drive
 Bloomingdale, IL 60108
 (Tel) 800.800.6006
 (Fax) 847.288.7011

DEL MEDICAL

#9000-FMT18 (TS) 01.19