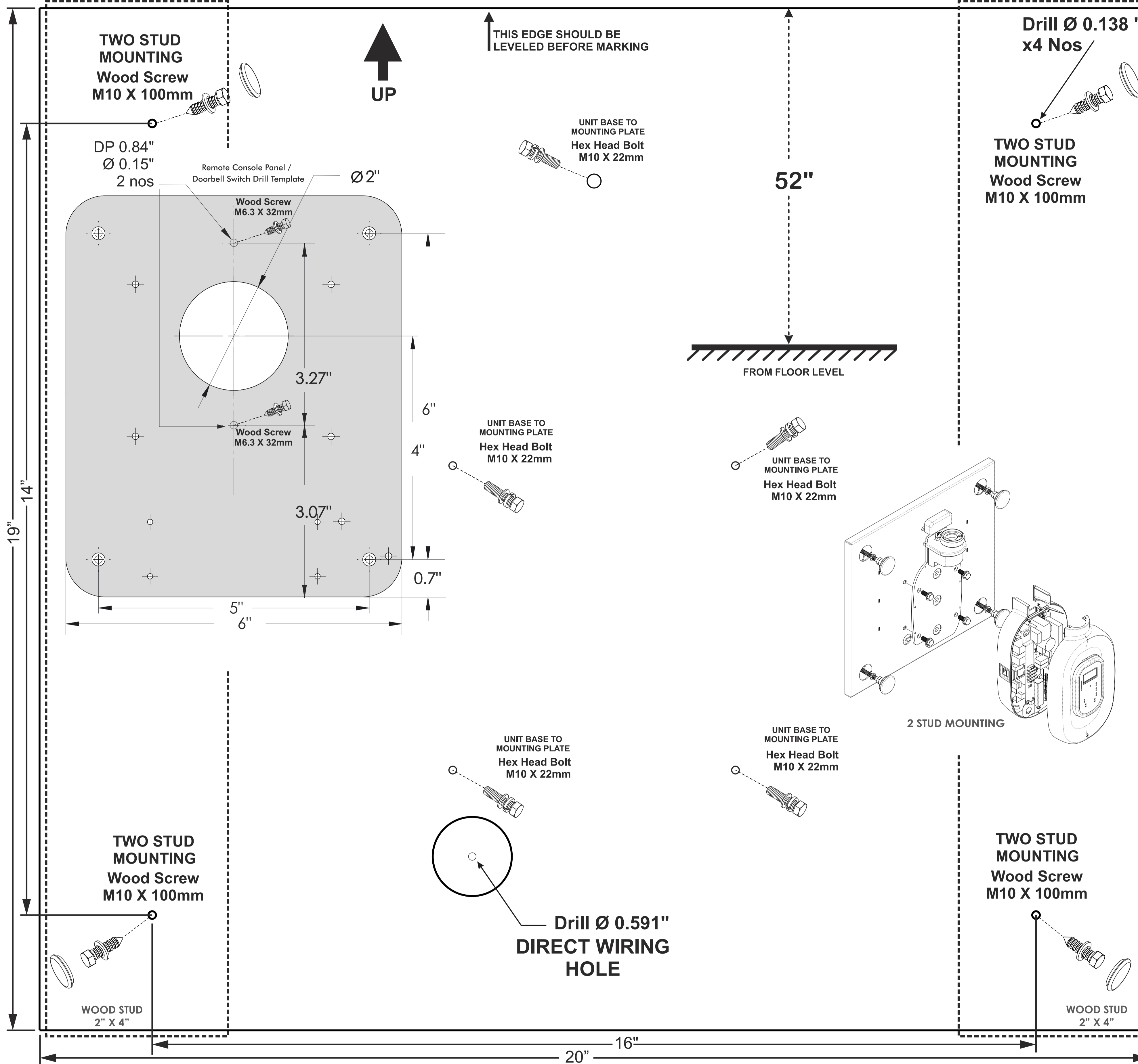
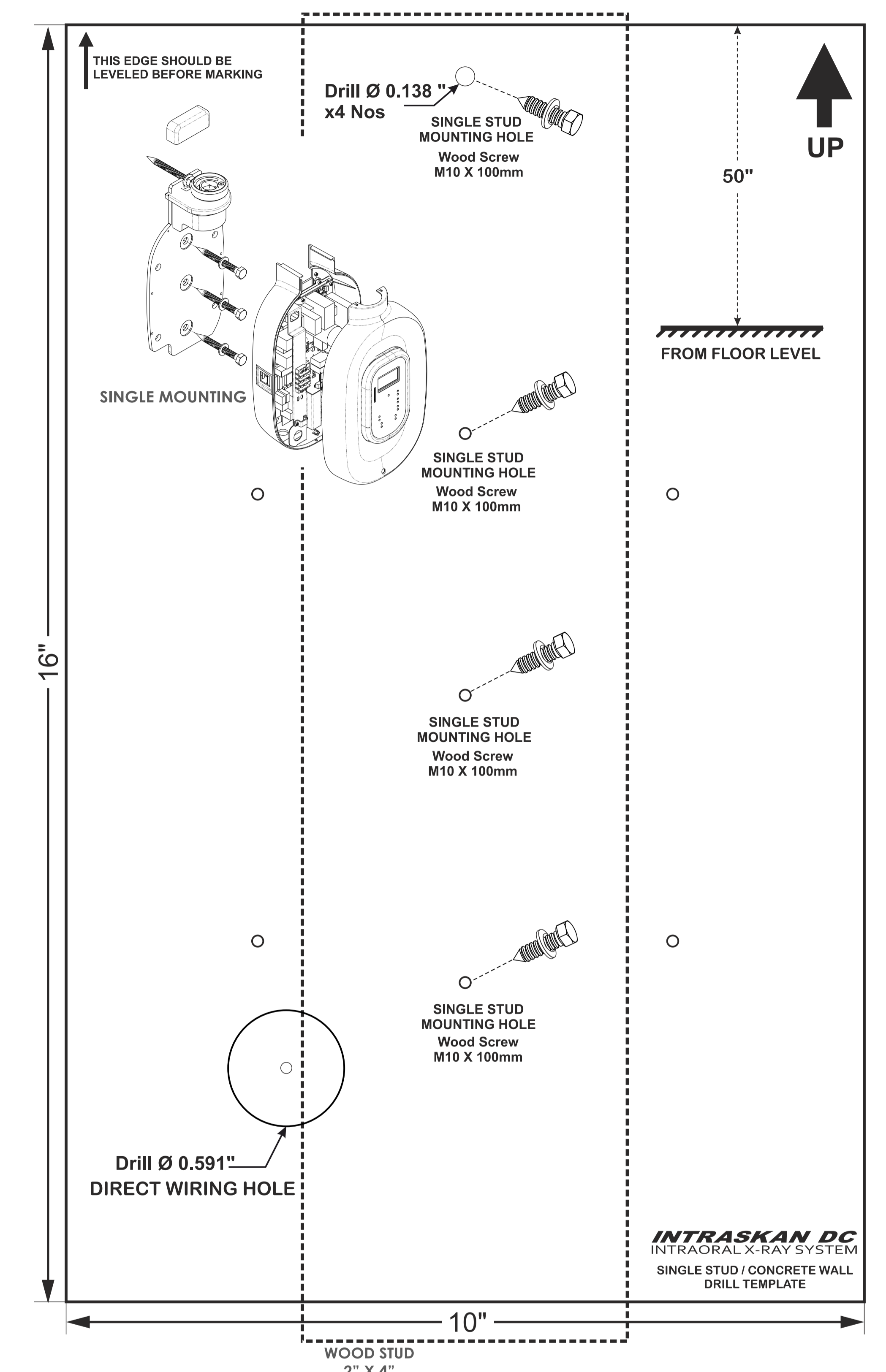


## 2 STUD MOUNTING TEMPLATE



## SINGLE STUD MOUNTING TEMPLATE



# INTRASKAN DC

ATTENTION: THIS X-RAY UNIT MUST BE FIRMLY ATTACHED IN ALL CASES TO WOOD OR METAL STUDS. UNDER NO CIRCUMSTANCE SHOULD IT BE MOUNTED ONLY TO SHEETROCK.

REFER TO THE SYSTEM INSTALLATION MANUAL FOR DETAILED WIRING INSTRUCTIONS. ALWAYS FOLLOW STATE AND LOCAL ELECTRICAL REGULATIONS AND GUIDELINES

Note	
Maximum Length	Minimum Gauge required
0 - 50 feet	14 gauge minimum
50 - 100 feet	12 gauge minimum
100 - 150 feet	10 gauge minimum
150 - 250 feet	8 gauge minimum
250 - 400 feet	6 gauge minimum

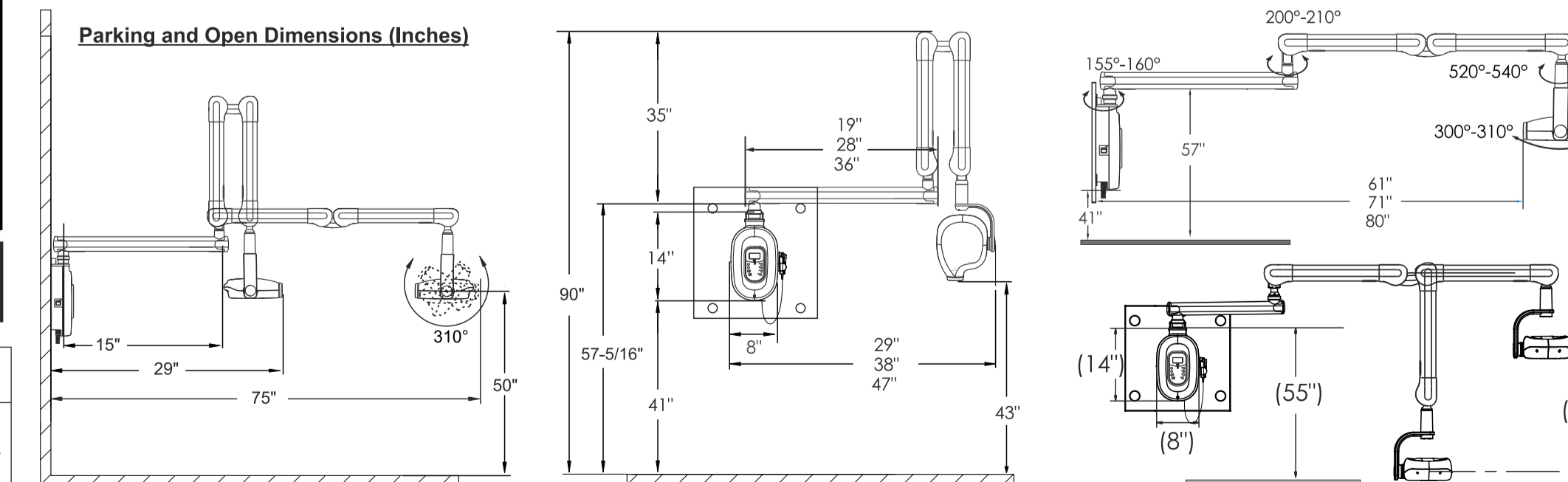
**Note:** When using remote console configurations (Refer User Manual) recommended cable length (for 8P8C, 6P4C & 3 wire) is 35' maximum.

No crossover in any RJ45 & RJ14 connector cables that are used for remote console configurations (i.e., 1 to 1 connections).

### Electrical Power Requirements

Line Voltage	: 110-V AC ± 10%, 60 Hz
Standby Current	: 0.25 Amp
Exposure Current	: 8 Amp
Main Fuse	: 10 Amp
Circuit Breaker	: 16 Amps

Always follow State and local electrical regulations and guidelines



### Corporate Headquarters

250 Clearbrook Road, Suite 240 | Elmsford, NY 10523, USA  
Phone 914-592-6100 | Fax 914-592-6148

© ImageWorks. Copyright 2013 • P/N XXXX Rev-A Draft G Sept 2013